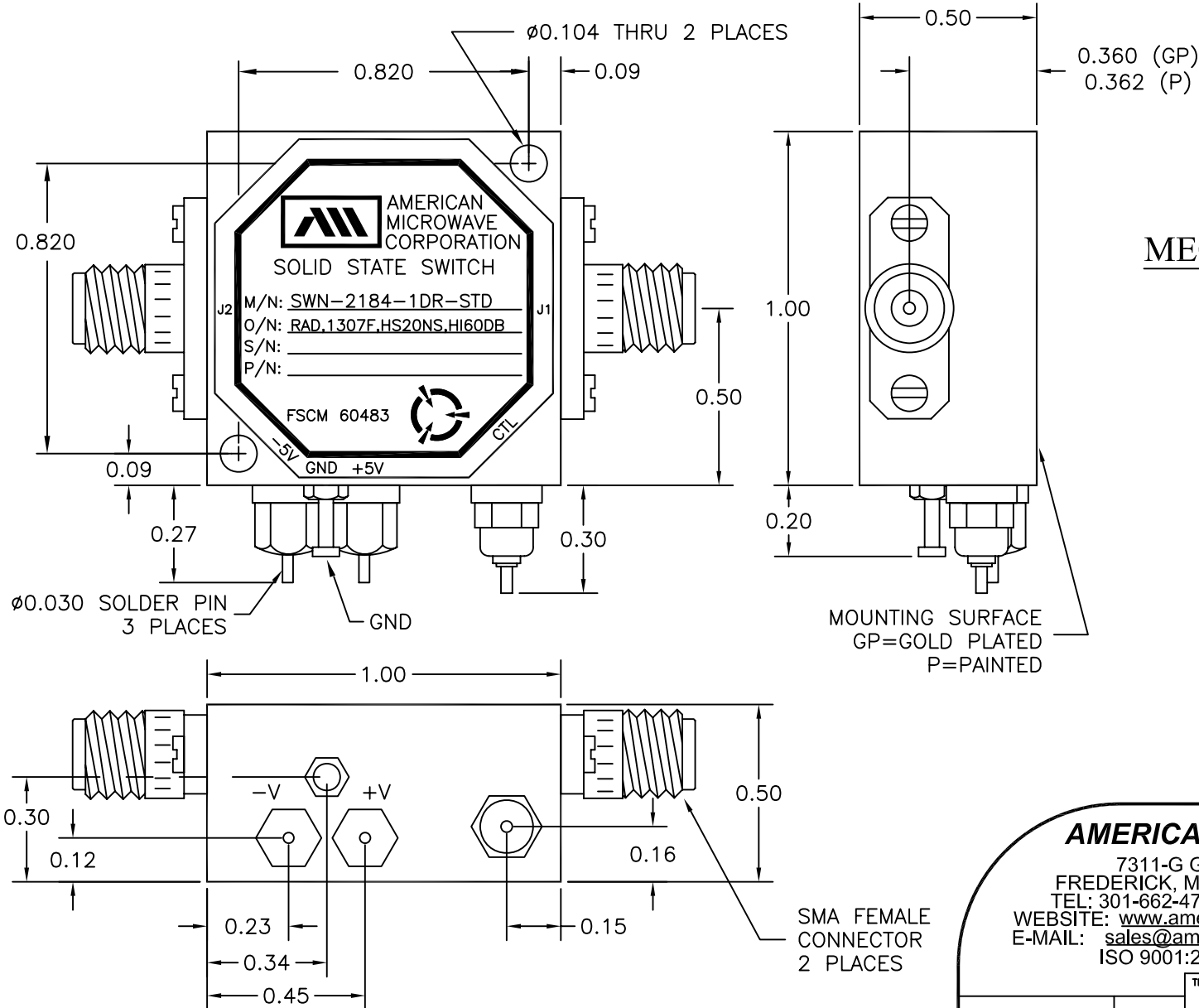


**DESCRIPTION:**

AMC MODEL SWN-2184-1DR-STD OPTIONS: RAD, 1307F, HS20NS, HI60DB IS  
 A SINGLE POLE SINGLE THROW, REFLECTIVE SWITCH MODULE WITH LOW  
 INSERTION LOSS, HIGH ISOLATION, HIGH SPEED AND WITH INTEGRAL TTL  
 DRIVER, DESIGNED FOR 13 GHz TO 14 GHz OPERATION.

REVISIONS				
ZONE	REV.	DESCRIPTION	DATE	APPROVED
	-	ORIGINAL RELEASE JOB# 709181PE-3	10/23/07	



MECHANICAL OUTLINE

MOUNTING SURFACE  
 GP=GOLD PLATED  
 P=PAINTED

SMA FEMALE  
 CONNECTOR  
 2 PLACES

ALL DIMENSIONS ARE IN INCHES  
 TOLERANCES:  
 X.XX ±0.010  
 X.XXX ±0.005

**AMERICAN MICROWAVE CORPORATION**

7311-G GROVE ROAD  
 FREDERICK, MARYLAND 21704 USA  
 TEL: 301-662-4700 FAX: 301-662-4938  
 WEBSITE: [www.americanmicrowavecorp.com](http://www.americanmicrowavecorp.com)  
 E-MAIL: [sales@americanmicrowavecorp.com](mailto:sales@americanmicrowavecorp.com)  
 ISO 9001:2000 CERTIFIED



APPROVALS		DATE	TITLE		
DRAWN <i>PRB</i>		12/06/06	MECHANICAL OUTLINE SWN-2184-1DR-STD		
REDRAWN			OPT: RAD, 1307F, HS20NS, HI60DB 13 TO 14 GHz SPST SWITCH		
ISSUED			SIZE A	FSCM NO. 60483	REV. -
			DWG NO. 100-5652-004	SHEET 2 OF 4	
			SCALE N:S		

**DESCRIPTION:**

AMC MODEL SWN-2184-1DR-STD OPTIONS: RAD, 1307F, HS20NS, HI60DB IS A SINGLE POLE SINGLE THROW, REFLECTIVE SWITCH MODULE WITH LOW INSERTION LOSS, HIGH ISOLATION, HIGH SPEED AND WITH INTEGRAL TTL DRIVER, DESIGNED FOR 13 GHz TO 14 GHz OPERATION.

**SPECIFICATIONS:**

- FREQUENCY: 13 GHz TO 14 GHz
- INSERTION LOSS: 1.7dB MAXIMUM
- ISOLATION: 13 GHz TO 14 GHz: 60dB
- VSWR: REFLECTIVE IN/OUT: 2.0:1
- SPEED: DELAY ON: 20ns MAX.  
DELAY OFF: 20ns MAX.
- POWER INPUT: (CW)+20dBm (STANDARD), +10 dBm (HIGH SPEED)
- SURVIVAL POWER: 1 WATT CW, 10 WATTS PEAK 1 usec
- CONTROL: TTL LOGIC "0"=ON "1"=OFF
- POWER SUPPLY: +5V @ 70 mA MAX.  
-5V @ 50 mA MAX.(RELECTIVE)

**OPTIONS:**

- RAD SPECIAL HIGH SPEED DRIVER
- 1307F OPTIMIZED FOR 13.40 TO 13.98 GHZ
- HS20NS HIGH SPEED 20ns
- HI60DB 60DB ISOLATION

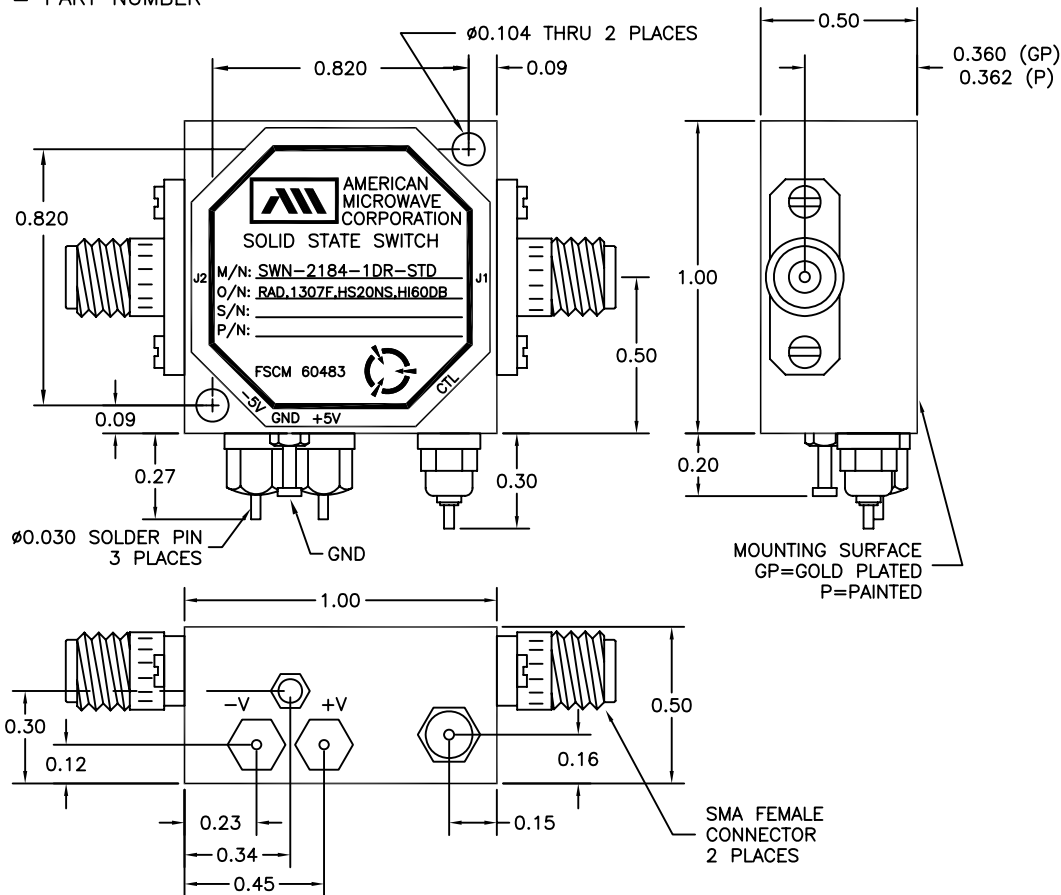
**ENVIRONMENTAL RATINGS:**

- TEMPERATURE: -55°C TO +85°C (OPERATING)  
-65°C TO +125°C (STORAGE)
- HUMIDITY: MIL-STD-202F, METHOD 103B COND. B
- SHOCK: MIL-STD-202F, METHOD 213B COND. B
- VIBRATION: MIL-STD-202F, METHOD 204D COND. B
- ALTITUDE: MIL-STD-202F, METHOD 105C COND. B
- TEMPERATURE CYCLE: MIL-STD-202F, METHOD 107D COND. A

NOTE: SPECIFICATIONS WILL VARY OVER TEMPERATURE  
NOTE: THE ABOVE SPECIFICATIONS ARE SUBJECT TO CHANGE OR REVISION

REVISIONS				
ZONE	REV.	DESCRIPTION	DATE	APPROVED
	-	ORIGINAL RELEASE JOB# 709181PE-3	10/23/07	

AT = WITH DRIVER, NON-REFLECTIVE/ABSORPTIVE  
M/N = MANUFACTURER PART NUMBER  
O/N = OPTION NUMBER  
S/N = SERIAL NUMBER  
P/N = PART NUMBER



**AMERICAN MICROWAVE CORPORATION**

7311-G GROVE ROAD  
FREDERICK, MARYLAND 21704 USA  
TEL: 301-662-4700 FAX: 301-662-4938  
WEBSITE: [www.americanmicrowavecorp.com](http://www.americanmicrowavecorp.com)  
E-MAIL: [sales@americanmicrowavecorp.com](mailto:sales@americanmicrowavecorp.com)  
ISO 9001:2000 CERTIFIED



APPROVALS		DATE	TITLE	
DRAWN <i>PRB</i>		12/06/06	PRODUCT FEATURE SWN-2184-1DR-STD	
REDRAWN			OPT: RAD, 1307F, HS20NS, HI60DB 13 TO 14 GHz SPST SWITCH	
ISSUED			SIZE A	FSCM NO. 60483
			DWG NO. 100-5652-004	REV. -
			SCALE N:S	SHEET 1 OF 4

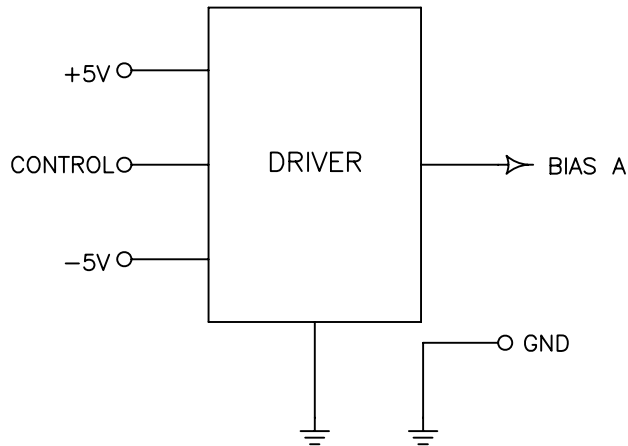
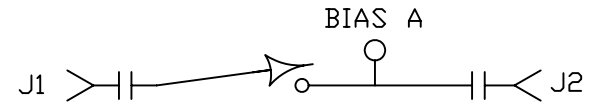
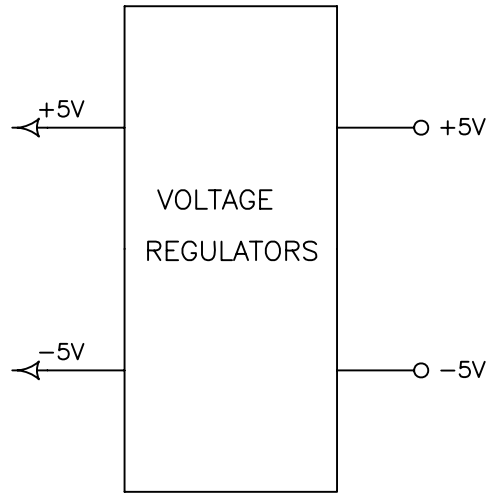
ALL DIMENSIONS ARE IN INCHES  
TOLERANCES:  
X.XX ±0.010  
X.XXX ±0.005

**DESCRIPTION:**

AMC MODEL SWN-2184-1DR-STD OPTIONS: RAD, 1307F, HS20NS, HI60DB IS A SINGLE POLE SINGLE THROW, REFLECTIVE SWITCH MODULE WITH LOW INSERTION LOSS, HIGH ISOLATION, HIGH SPEED AND WITH INTEGRAL TTL DRIVER, DESIGNED FOR 13 GHz TO 14 GHz OPERATION.

REVISIONS				
ZONE	REV.	DESCRIPTION	DATE	APPROVED
	-	ORIGINAL RELEASE JOB# 709181PE-3	10/23/07	

**FUNCTIONAL BLOCK DIAGRAM**



**AMERICAN MICROWAVE CORPORATION**

7311-G GROVE ROAD  
 FREDERICK, MARYLAND 21704 USA  
 TEL: 301-662-4700 FAX: 301-662-4938  
 WEBSITE: [www.americanmicrowavecorp.com](http://www.americanmicrowavecorp.com)  
 E-MAIL: [sales@americanmicrowavecorp.com](mailto:sales@americanmicrowavecorp.com)  
 ISO 9001:2000 CERTIFIED



TITLE  
**FUNCTIONAL BLOCK DIAGRAM**  
**SWN-2184-1DR-STD**  
 OPT: RAD, 1307F, HS20NS, HI60DB  
 13 TO 14 GHz SPST SWITCH

APPROVALS	DATE
DRAWN <i>PRB</i>	12/06/06
REDRAWN	
ISSUED	

SIZE A	FSCM NO. 60483	DWG NO. 100-5652-004	REV. -
SCALE N:S			SHEET 3 OF 4

ALL DIMENSIONS ARE IN INCHES  
 TOLERANCES:  
 X.XX ±0.010  
 X.XXX ±0.005